

ASC AC-1 Series V Aircon Controller

The ASC AC-1 Series V was designed with the same objective as its predecessor, the ASC AC-1 Series II. It now boasts improved features and a compact design. The ASC AC-1 Series V Series Aircon Controller can now sequence the operation of up to sixteen airconditioning units to facilitate even distribution of ACU loads. This represents cost savings in the form of minimized equipment downtime due air conditioner failure as well as reduction in man-hour maintenance costs especially for unmanned telecom shelters.

APPLICATIONS

The ASC Series of Aircon Controllers is ideal for use in remote and unmanned facilities with multiple airconditioning units that functions as a fault tolerant system. Designed as a stand-alone unit, the ASC AC-1 Series-V features high loading capacity for controlling multiple airconditioning units and the flexibility to accommodate individual customer applications.



* Actual unit may vary from above picture.

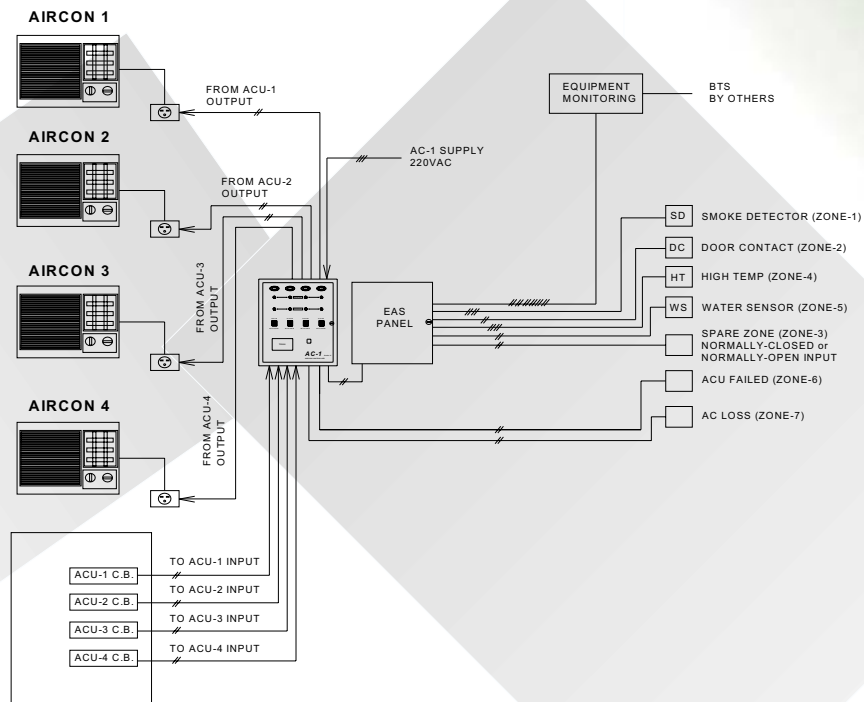
STANDARD FEATURES:

- Control up to 4 x ACUs (standard model)
- Expandable up to 16 x ACU's
- Supports window-type or split-type airconditioning units
- Digitally programmable HI & LO temperature set points with hysteresis (selectable to °C or °F)
- Automatic activation of unscheduled airconditioning units during a HI-temperature condition to maintain room temperature.
- Automatic shut-off of all airconditioning units during a LO temperature condition to minimize condensation.
- Auto switch-back to load schedules upon restoration from abnormal temperature condition
- BYPASS switch per airconditioning unit to override automatic load schedules.
- Individual LED indicator lamps of system status (normal, ACU fault)
- Easily programmable switchover time setting of load schedules via thumb wheel switch (1 -99 hours)
- Digital temperature reading with remote probe (optional)
- No batteries required
- Stable over a wide voltage range (180VAC -270VAC)

ACU PROTECTION FEATURES

- Power-on voltage delay
- Over-Under voltage ACU shutdown
- Immediate or delayed switchover to the next ACU when an ACU fault occurs

ASC AC-1 Series V Aircon Controller



SPECIFICATIONS

Input Voltage	- 220VAC; ~150W per panel
Max. Load per aircon	- 220VAC; 30A
Max. HI-temp setting	- 50° Celsius
Min. LO-temp setting	- 0° Celsius
Max.HI & LO temp VFCO rating	- 1A; 50 VDC
Dimensions	- 33x37x10cm(WxHxD)

ORDERING INFORMATION

AC1-S54W

- 4 x Window/Split type ACU Controller