



# FIXED IN-LINE INDUCTORS

## DATA SHEET

5032/4

Sheet 1 of 1

Angus "FI" In-line Inductors are designed primarily for use in fixed installations and provide a simple and reliable method of proportioning foam concentrate in constant flow applications.

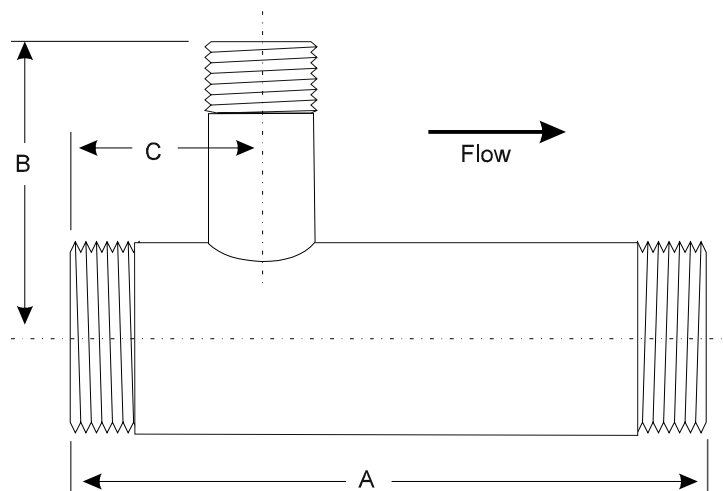
The range comprises six basic models and performance extends from 65 to 4000 litres per minute at inlet pressures of between 4 and 16 bar as shown overleaf. Within these limits, the induction rate can be set accurately between 1% and 6%.

Manufactured from high grade stainless steel with polyester internals, the units have exceptional corrosion resistance and are suitable for use in the most extreme environments.

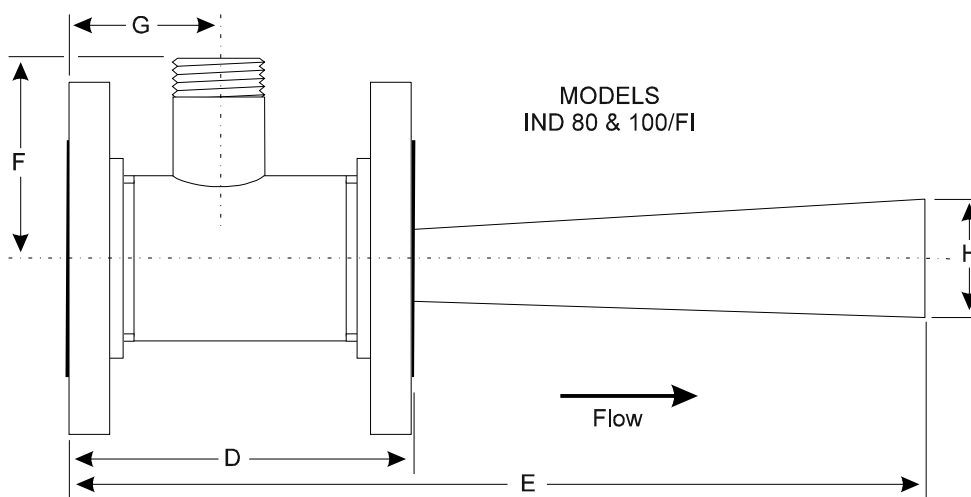
Each inductor is accurately calibrated at the factory to match the specific requirements of the system into which it is to be installed and to ensure that the correct performance is achieved, the following parameters must be defined at the order stage:

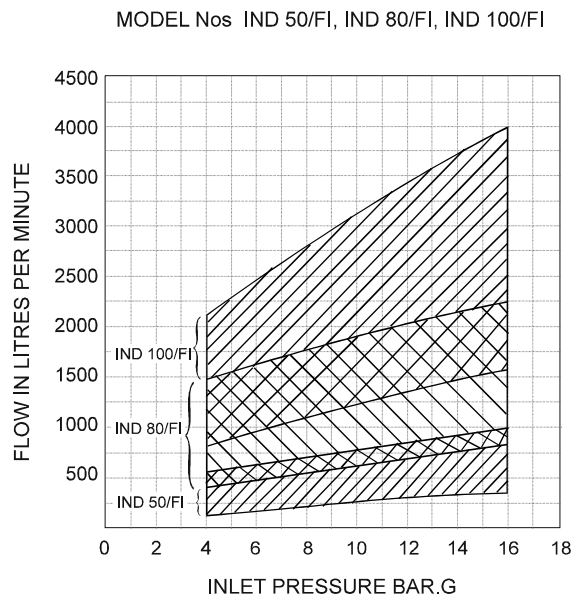
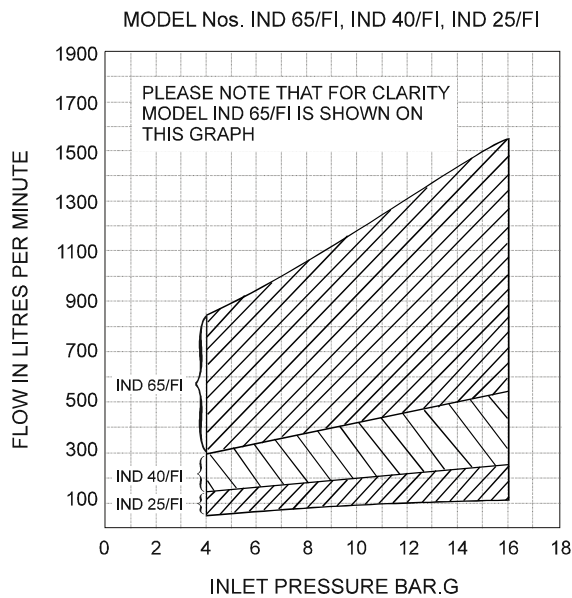
- (a) Required foam solution flow.
- (b) Inductor input pressure.
- (c) Foam type, percentage concentration and ambient temperature.
- (d) Non-return valve fitted or not.
- (e) Maximum suction lift.
- (f) Suction pipe length and internal diameter.

MODELS IND 25, 40,  
50 & 65/FI



MODELS  
IND 80 & 100/FI





These graphs are for guidance only. Before final selection of inductor size the system parameters a-f overleaf should be verified by our computer program (especially where foam pick up heights exceed 2 metres and induction rates of 6% are required).

Up to 65% of the inlet pressure at the inductor (within the limits shown above) is available to power foam generating equipment, to overcome pipework friction losses and/or to overcome static head. Provided the back-pressure caused by the system configuration downstream from the inductor does not exceed this, foam induction accuracy will be maintained.

To ensure accurate proportioning, the suction lift and foam pick-up pipe length should be minimised and the water supply pipe diameter should not be less than that of the inductor.

The flow characteristics of a non-return valve fitted to the foam pick-up pipe have to be allowed for when calibrating the inductor and when required, the unit must be supplied by Angus. If a non-return valve is not used, it is recommended that a full bore on/off valve is fitted.

|                       | IND25/FI  | IND40/FI | IND50/FI | IND65/FI | IND80/FI   | IND100/FI  |
|-----------------------|---|----------|----------|----------|------------|------------|
| DIMENSION A (mm)      | 100   | 160      | 320      | 365      | -          | -          |
| B (mm)                | 50  | 70       | 70       | 85       | -          | -          |
| C (mm)                | 45  | 48       | 50       | 67       | -          | -          |
| D (mm)                | -   | -        | -        | -        | 185        | 220        |
| E (mm)                | -   | -        | -        | -        | 470max.    | 550max.    |
| F (mm)                | -   | -        | -        | -        | 100        | 125        |
| G (mm)                | -   | -        | -        | -        | 80         | 91         |
| H (mm)                | -   | -        | -        | -        | 63 dia.    | 81 dia.    |
| CONNECTIONS           | 1" NPT  | 1½" NPT  | 2" NPT   | 2½" NPT  | 3" RF      | 4" RF      |
|                       | (M)   | (M)      | (M)      | (M)      | Flange     | Flange     |
|                       |   |          |          |          | ANSI class | ANSI class |
|                       |   |          |          |          | 150        | 150        |
| FOAM INLET CONNECTION | ½"NPT   | ¾"NPT    | ¾"NPT    | 1"NPT    | 1½"NPT     | 1½"NPT     |
|                       | (M)   | (M)      | (M)      | (M)      | (M)        | (M)        |
| MATERIALS             | 316 Stainless Steel with Polyester internal fittings                                |          |          |          |            |            |
| FINISH                | All natural, except IND 80/FI & IND 100/FI with Yellow Thermoplastic Powder Finish. |          |          |          |            |            |
| APPROX.WEIGHT         | 0.32Kg.   | 0.77Kg.  | 1.78Kg.  | 3.10Kg.  | 8.5Kg.     | 16.5Kg     |

Ref: 5032 07/01

The right is reserved to vary or modify any specification without prior notice.

© Angus Fire Armour Limited

**ANGUS  
FIRE**



THAME PARK ROAD, THAME, OXFORDSHIRE, OX9 3RT, ENGLAND  
Tel: +44 (0) 1844 214545 Fax: +44(0) 1844 213511/2  
e-mail: general.enquiries@angusuk.co.uk  
website address: www.angusfire.co.uk